

A hug of warmth wrapped in nature.

V-Guard Air Source Heat Pump Water Heaters.



Air Source Heat Pump Water Heater (ASHPWH)

Running hot water, in recent times has become a necessity more than a luxury. An Air Source Heat Pump Water Heater (ASHPWH) from V-Guard is the go-to solution for readily available hot water. Our ASHPWH's work even when the outside temperature is way less than zero degrees Celsius. They are energy efficient and save on fuel cost as the heat is absorbed from the atmosphere. Like every other product from V-Guard, the smallest detail has been looked at to make sure that only the best product reaches our valuable customer.

V-Guard Air source heat pump water heaters are usually said to be "fit and forget" units. If you have bought a V-Guard heat pump water heater, rest assured, you have bought arguably the best product in its category with best in class features in safety, efficiency, power saving and environment protection.



Lower operating cost



Environmental friendly refrigerant



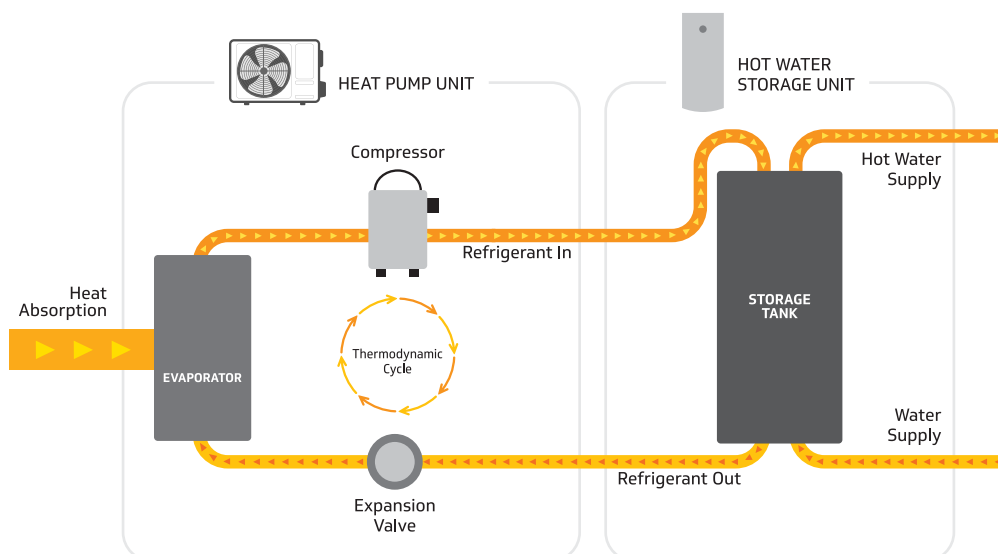
Less Maintenance



Silent Operation

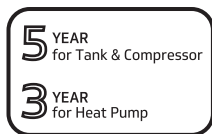
Working Principle - Heat Pump Water Heater:

The heat pump makes use of a refrigerant for its operation. The low temperature refrigerant absorbs free heat from the atmospheric air in the evaporator is compressed by a highly efficient electrical compressor to a high- temperature and high-pressure vapour refrigerant. This vapour is then passed through a heat exchanger (condenser) to transfer the heat to the water in the storage tank to produce hot water. The refrigerant then passes through an expansion valve and it goes back to the evaporator for absorbing the free heat from the atmospheric air again and the cycle is repeated.



Features

- A new technology Enamel coated inner tank ensures greater corrosion resistance against hard water.
- Environmental friendly refrigerant: our heat pumps only use environment friendly R410A refrigerant.
- V-Guard ASHPWHs provide constant temperature output ranging from 55-60 Degree Celsius.
- V-Guard ASHPWHs come integrated with high pressure protection systems that ensures safety.
- Automatic defrost ensures that maintenance and cleaning intervals do not come too often.
- V-Guard ASHPWHs operates on vast range of temperature variation ranging from -15 to 43 Degree Celsius.
- V-Guard ASHPWHs comes equipped with a water resistant body. They are coated with an anti-corrosive coating that ensures long lasting maintenance free operation.
- Our systems are easy to install and backed by hassle free service.
- Glass lined storage tank to perfectly suit all kinds of water.
- 75% energy saving as compared to electric water heaters.
- An electric backup heater is provided for faster heating, enabling a temperature raise of up to 75°C.



Warranty



Suitable for
All Kinds of Water



Suits for Wide Range
of Climatic Variations



Enameled Glass
Line Coated Tank

Specifications

Product range:

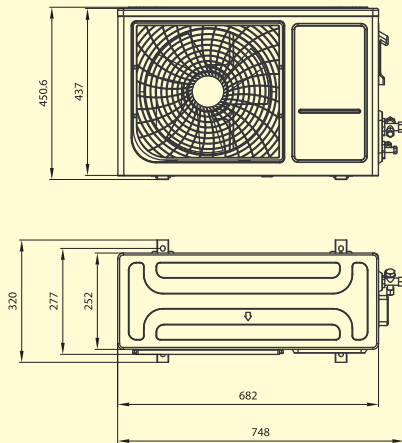
Model	V-HP 150	V-HP 200	V-HP 300	V-HP 500
Tank volume (L)	160	210	320	500
Heating capacity (W)	3500	3500	3500	5800
Production capacity (LPH)	70	70	70	125
Rated power input (W)	810	810	810	1320
COP	4.32	4.32	4.32	4.38
Backup electric heater(W)	1500	1500	1500	2000
Max power input (W)	2400	2400	2400	3400
Rated current (A)	3.7	3.7	3.7	6
Max current (A)	11	11	11	15.5
Power supply	220~240V/1/50Hz	220~240V/1/50Hz	220~240V/1/50Hz	220~240V/1/50Hz
Waterproof level	IPX4	IPX4	IPX4	IPX4
Refrigerant	R410a	R410a	R410a	R410a
Max water temperature (°C)	60	60	60	60
Heat pump net dimension (mm)	682×252×448	682×252×448	682×252×448	838×300×545
Heat pump net weight (Kg)	25	25	25	36
Noise (db)	≤48	≤48	≤48	≤49
Tank net dimension (mm)	Φ440×1696	Φ500*1716	Φ620*1641	Φ750*1900
Inner tank diameter (mm)	Φ350	Φ410	Φ520	Φ650
Inner Tank Material	Enamel coated Steel with Mg Anode	Enamel coated Steel with Mg Anode	Enamel coated Steel with Mg Anode	Enamel coated Steel with Mg Anode
Water Inlet/outlet size	3/4"	3/4"	3/4"	1"
Insulation thickness(mm)	50	50	50	50
Tank net weight (Kg)	53	60	90	128
Working temperature (°C)	-15~43	-15~43	-15~43	-15~43

Condition: Heating Capacity at Air 20°C/15°C, Water Temperature from 15°C to 55°C

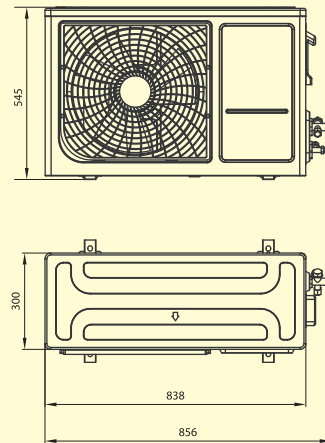
Heating Cost Comparison

Heating Load (Liters)	150 L	200 L	300 L	500 L	Heating Source	Heat Pump Water Heater (Electricity)	Electric Geyser (Electricity)	Boiler (Diesel)	Gas Geyser (LPG)
Heat Pump Water Heater (Electricity)	₹ 12.21	₹ 16.28	₹ 24.42	₹ 40.69	Charges in the state of Kerala	8 Rs Per Unit	8 Rs Per Unit	94 Rs per Litre	39 Rs per Kg
Electric Geyser (Electricity)	₹ 48.84	₹ 65.12	₹ 97.67	₹ 162.79					
Boiler (Diesel)	₹ 68.31	₹ 91.09	₹ 136.6	₹ 227.71					
Gas Geyser (LPG)	₹ 22.89	₹ 30.52	₹ 45.78	₹ 76.31					

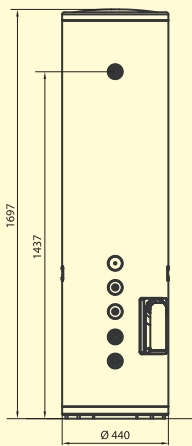
Dimensions of the outdoor unit and 150L, 200L, 300L & 500L water tank



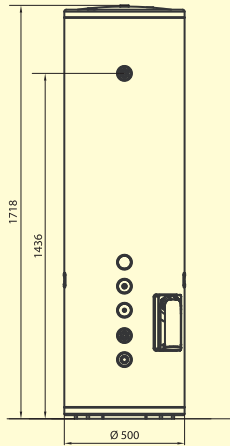
Outdoor unit - 150 L, 200 L & 300 L



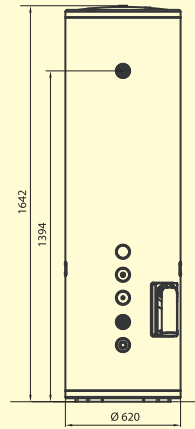
Outdoor unit - 500 L



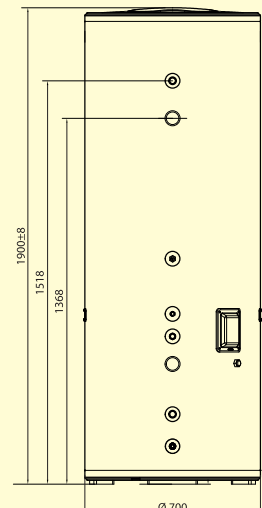
Tank 1 - 150 L



Tank 2 - 200 L



Tank 3 - 300 L



Tank 4 - 500 L

All dimensions are in mm

V-Guard Industries Ltd.

Registered Office: 42/962, Vennala High School Road, Vennala, Kochi - 682 028, Kerala.
Ph: 0484-2005000, 4335000 www.vguard.in



V-Guard Care
1800 103 1300 (Toll Free) 1860 180 3000 (Charges Apply)
customercare@vguard.in @9633503333
www.vguard.in/home/customer-care
CIN: L31200KL1996PLC010010

