

# The Great Wall of **SAFETY**

V-Guard MCBs & DBs





## Designed for safety

For over four decades V-Guard lived up to the reputation of making reliable products that were designed to work efficiently and last a lifetime. And now we are taking our next quantum leap. Harnessing the learnings, insights and experience of four decades it will be our endeavour to understand human lives and its relationship with the tools and appliances that he uses. And then to evolve a seamless experience with thoughtful engineered products in our quest to enriching consumer lives.

V-Guard offers a wide range of products built for day to day modern living. Domestic Switch Gears that ensure complete, foolproof safety is just another step towards this vision. V-Guard switch gears are available with more than 10000 authorized dealers and 250 distributors located across 19 states.

They are engineered to detect overcurrents due to both overload and faulty power supply, and interrupt the supply to prevent damage. Designed and developed by V-Guard's ISO 9001:2008 certified and DSIR recognized R&D, these domestic switch gears are made from high-quality components, quality checked at all stages through the manufacturing process and equipped with latest technology and advanced features to deliver superior performance.

### Salient Features



Rugged and Highly reliable Switch Mechanism for long service



State of the art Arc Runner System



DB's are suitable for flush and surface mounting



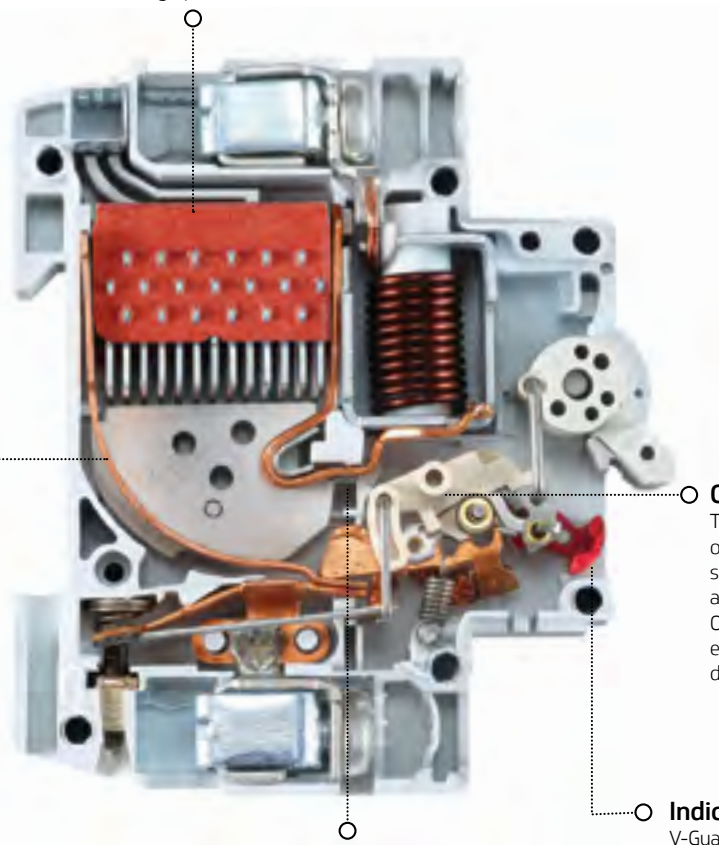
## Miniature Circuit Breaker (MCB)

Voltage fluctuations should never concern you, that's just why V-Guard brings you a range of Miniature Circuit Breakers. V-Guard's MCBs will make sure all your electrical appliances are safe from any potential voltage problem.

- High quality moulded casing
- Improved and rugged design of operating mechanism
- A state-of-the-art arc runner system

### Design

The superior design of the arc quenching unit and the chamber with the additional arc diverter & flash back arrestor results in zero arc environment in the electrical system. This keeps the MCB from heating up.



**State of art**  
The specially designed arc runner system delivers spectacular performance in spite of any kind of weather.

**Operating Mechanism**  
The improved and rugged design of the operating mechanism makes sure the MCB performs outstandingly and delivers superior safety. Operating contacts stay off in the event of mechanical or spring failure due to a gravity-friendly orientation.

**Indication**  
V-Guard MCBs have a clear and visible indicator to easily show if the circuit is switched on or off.

**Life**  
Specially produced silver/graphite/bromide/cadmium tip delivers great anti-weld property during faults and increases the life the product.



## SINGLE POLE | 10 kA - B TYPE



Rating (A)	Model	Code
6	MCB 6A SP B	1500682/ 1601468
10	MCB 10A SP B	1500699/ 1602697
13	MCB 13A SP B	1501516
16	MCB 16A SP B	1500688/ 1603148
20	MCB 20A SP B	1500696/ 1603149
25	MCB 25A SP B	1500684/ 1603150
32	MCB 32A SP B	1500694/ 1603151
40	MCB 40A SP B	1501553

Std Packaging 12 Nos | Jumbo Packaging 144 Nos.  
**HSN Code: 8536**

## SINGLE POLE | 10 kA - C TYPE



Rating (A)	Model	Code
0.5	MCB 0.5A SP C	1501505
1	MCB 1A SP C	1501528
2	MCB 2A SP C	1501541
3	MCB 3A SP C	1501548
4	MCB 4A SP C	1501557
6	MCB 6A SP C	1500681
10	MCB 10A SP C	1500698
13	MCB 13A SP C	1501517

Std Pack 12 Nos | Jumbo packaging 144 Nos.  
**HSN Code: 8536**

Rating (A)	Model	Code
16	MCB 16A SP C	1500687
20	MCB 20A SP C	1500695
25	MCB 25A SP C	1500683
32	MCB 32A SP C	1500689
40	MCB 40A SP C	1500700
50	MCB 50A SP C	1501563
63	MCB 63A SP C	1500677

## SINGLE POLE + NEUTRAL | 10 kA - C TYPE



Rating (A)	Model	Code
0.5	MCB 0.5A SPN C	1501506
1	MCB 1A SPN C	1501529
2	MCB 2A SPN C	1501542
3	MCB 3A SPN C	1501549
4	MCB 4A SPN C	1501558
6	MCB 6A SPN C	1501571
10	MCB 10A SPN C	1501511
13	MCB 13A SPN C	1501518

Std Pack 6 Nos | Jumbo packaging 72 Nos.  
**HSN Code: 8536**

Rating (A)	Model	Code
16	MCB 16A SPN C	1501523
20	MCB 20A SPN C	1501533
25	MCB 25A SPN C	1500685
32	MCB 32A SPN C	1500690
40	MCB 40A SPN C	1501554
50	MCB 50A SPN C	1501564
63	MCB 63A SPN C	1501568

## DOUBLE POLE | 10 kA - C TYPE



Rating (A)	Model	Code
0.5	MCB 0.5A DP C	1501503
1	MCB 1A DP C	1501526
2	MCB 2A DP C	1501539
3	MCB 3A DP C	1501546
4	MCB 4A DP C	1501555
6	MCB 6A DP C	1501569
10	MCB 10A DP C	1501509
13	MCB 13A DP C	1501514

Std Pack 6 Nos | Jumbo packaging 72 Nos.

HSN Code: 8536

Rating (A)	Model	Code
16	MCB 16A DP C	1501521
20	MCB 20A DP C	1500697
25	MCB 25A DP C	1500686
32	MCB 32A DP C	1500691
40	MCB 40A DP C	1500701
50	MCB 50A DP C	1501561
63	MCB 63A DP C	1500678

## THREE POLE | 10 kA - C TYPE



Rating (A)	Model	Code
0.5	MCB 0.5A TP C	1501507
1	MCB 1A TP C	1501530
2	MCB 2A TP C	1501543
3	MCB 3A TP C	1501550
4	MCB 4A TP C	1501559
6	MCB 6A TP C	1501572
10	MCB 10A TP C	1501512
13	MCB 13A TP C	1501519

Std Pack 4 Nos | Jumbo packaging 48 Nos.

HSN Code: 8536

Rating (A)	Model	Code
16	MCB 16A TP C	1501524
20	MCB 20A TP C	1501534
25	MCB 25A TP C	1501537
32	MCB 32A TP C	1500692
40	MCB 40A TP C	1500702
50	MCB 50A TP C	1501565
63	MCB 63A TP C	1500679

## THREE POLE + NEUTRAL | 10 kA - C TYPE



Rating (A)	Model	Code
0.5	MCB 0.5A TPN C	1501508
1	MCB 1A TPN C	1501531
2	MCB 2A TPN C	1501544
3	MCB 3A TPN C	1501551
4	MCB 4A TPN C	1501560
6	MCB 6A TPN C	1501573
10	MCB 10A TPN C	1501513
13	MCB 13A TPN C	1501520

Std Pack 3 Nos | Jumbo packaging 36 Nos.

HSN Code: 8536

Rating (A)	Model	Code
16	MCB 16A TPN C	1501525
20	MCB 20A TPN C	1501535
25	MCB 25A TPN C	1501538
32	MCB 32A TPN C	1500693
40	MCB 40A TPN C	1500703
50	MCB 50A TPN C	1501566
63	MCB 63A TPN C	1500680





## FOUR POLE | 10 kA - C TYPE



Rating (A)	Model	Code
0.5	MCB 0.5A FP C	1501504
1	MCB 1A FP C	1501527
2	MCB 2A FP C	1501540
3	MCB 3A FP C	1501547
4	MCB 4A FP C	1501556
6	MCB 6A FP C	1501570
10	MCB 10A FP C	1501510
13	MCB 13A FP C	1501515

Rating (A)	Model	Code
16	MCB 16A FP C	1501522
20	MCB 20A FP C	1501532
25	MCB 25A FP C	1501536
32	MCB 32A FP C	1501545
40	MCB 40A FP C	1501552
50	MCB 50A FP C	1501562
63	MCB 63A FP C	1501567

Std Pack 3 Nos | Jumbo packaging 36 Nos.

HSN Code: 8536

## Isolators



DOUBLE POLE (DP)		
Rating (A)	Model	Code
40	ISO 40A DP	1500707/ 1602687
63	ISO 63A DP	1500704

Std Pack 6 Nos | Jumbo packaging 72 Nos.

HSN Code: 8536



TRIPPLE POLE (TP)		
40	ISO 40A TP	1500708
63	ISO 63A TP	1500705

Std Pack 4 Nos | Jumbo packaging 48 Nos.

FOUR POLE (FP)		
40	ISO 40A FP	1500709
63	ISO 63A FP	1500706
100	ISO 100A FP	1501744

Std Pack 3 Nos | Jumbo packaging 36 Nos.

HSN Code: 8536

## PROTECTION DEVICES

# Residual Current Circuit Breaker (RCCB)

### TWO POLE



30mA		
Rating (A)	Model	Code
25	RCCB 25A DP 30mA	1501489
40	RCCB 40A DP 30mA	1500713
63	RCCB 63A DP 30mA	1501009
100mA		
25	RCCB 25A DP 100mA	1501487
40	RCCB 40A DP 100mA	1501499
63	RCCB 63A DP 100mA	1501501
300mA		
25	RCCB 25A DP 300mA	1501488
40	RCCB 40A DP 300mA	1501500
63	RCCB 63A DP 300mA	1501502



Std Pack 6 Nos | Jumbo packaging 72 Nos.

HSN Code: 8536

### FOUR POLE



30mA		
Rating (A)	Model	Code
25	RCCB 25A FP 30mA	1501492
40	RCCB 40A FP 30mA	1500714
63	RCCB 63A FP 30mA	1500710
100	RCCB 100A FP 30mA	1501481
100mA		
25	RCCB 25A FP 100mA	1501490
40	RCCB 40A FP 100mA	1500715
63	RCCB 63A FP 100mA	1500711
100	RCCB 100A FP 100mA	1501479
300mA		
25	RCCB 25A FP 300mA	1501491
40	RCCB 40A FP 300mA	1500716
63	RCCB 63A FP 300mA	1500712
100	RCCB 100A FP 300mA	1501480



Std Pack 3 Nos | Jumbo packaging 36 Nos.

HSN Code: 8536

# Automatic Changeover with Current Limiter (ACCL)

**NEW**



A changeover device transfers the load from main power supply to the generator automatically upon failure of the main power supply. It also functions as a load limiter monitoring the generator's power supply to decrease strain on the generator.

	Rating (A)	Model	Code	Rating (A)	Model	Code
Mains 30A for all models	0.5	ACCL 0.5A SPN	1505095	8	ACCL 8A SPN	1505103
	1	ACCL 1A SPN	1505096	9	ACCL 9A SPN	1505104
	1.5	ACCL 1.5A SPN	1505097	10	ACCL 10A SPN	1505105
	2.5	ACCL 2.5A SPN	1505098	15	ACCL 15A SPN	1505106
	3	ACCL 3A SPN	1505099	20	ACCL 20A SPN	1505107
	4	ACCL 4A SPN	1505100	25	ACCL 25A SPN	1505108
	5	ACCL 5A SPN	1505101	30	ACCL 30A SPN	1505109
	6	ACCL 6A SPN	1505102			

Std Pack 18 Nos  
 HSN Code: 8536

# Miniature Change Over Switch (MCOS)

## DOUBLE POLE

**NEW**



Rating (A)	Model	Code
25	MCOS 25A DP 2W	1501576
40	MCOS 40A DP 2W	1501580

Std Pack 6 Nos | Jumbo packaging 90 Nos.  
 HSN Code: 8536

## FOUR POLE

**NEW**



Rating (A)	Model	Code
25	MCOS 25A FP 2W	1501577
40	MCOS 40A FP 2W	1501581

Std Pack 3 Nos | Jumbo packaging 45 Nos.  
 HSN Code: 8536



# Phase Selector Rotary Switch

NEW



It consists of three (single phase) change over switches, each connected to one of the three phases. The single phase loads are distributed over the three outgoing phase connections. It helps to fight the common problem of Phase Cut in a three phase connection having single phase loads.

Rating (A)	Model	Code
40	ROTARY SWITCH 1P 3W OFF 40A	1505782
63	ROTARY SWITCH 1P 3W OFF 63A	1505789

Std Pack 10 Nos  
HSN Code: 8536

# Industrial Plug and Socket

NEW

Industrial Plug & Socket is a product which is used for the distribution of power supply in such a safe manner. It is primarily intended for industrial use, either indoors or outdoors. Also we can use these accessories on building sites and for agricultural, commercial and domestic applications.

## MOBILE PLUG



Rating	Poles	Model	Code	Std. Packing
16A	2P+E	PS SPNE 16A IP44 6H MP	1505154	48 Nos.
63A	3P+N+E	PS TPNE 63A IP67 6H MP	1505155	6 Nos.

HSN Code: 8536

## MOBILE CONNECTOR



Rating	Poles	Model	Code	Std. Packing
16A	2P+E	PS SPNE 16A IP44 6H MC	1505156	36 Nos.
63A	3P+N+E	PS TPNE 63A IP67 6H MC	1505157	6 Nos.

HSN Code: 8536



## WALL MOUNTED SOCKET



Rating	Poles	Model	Code	Std. Packing
16A	2P+E	PS SPNE 16A IP44 6H WMS	1505159	16 Nos.

HSN Code: 8536

## FLANGED PANEL SOCKET



Rating	Poles	Model	Code	Std. Packing
63A	3P+N+E	PS TPNE 63A IP67 6H FPSI	1505158	12 Nos.

HSN Code: 8536

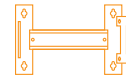
# Distribution Boards

## INVIDIA

MOST ADVANCED DISTRIBUTION BOARD



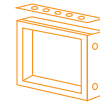
MAGNETIC DOOR LOCKING



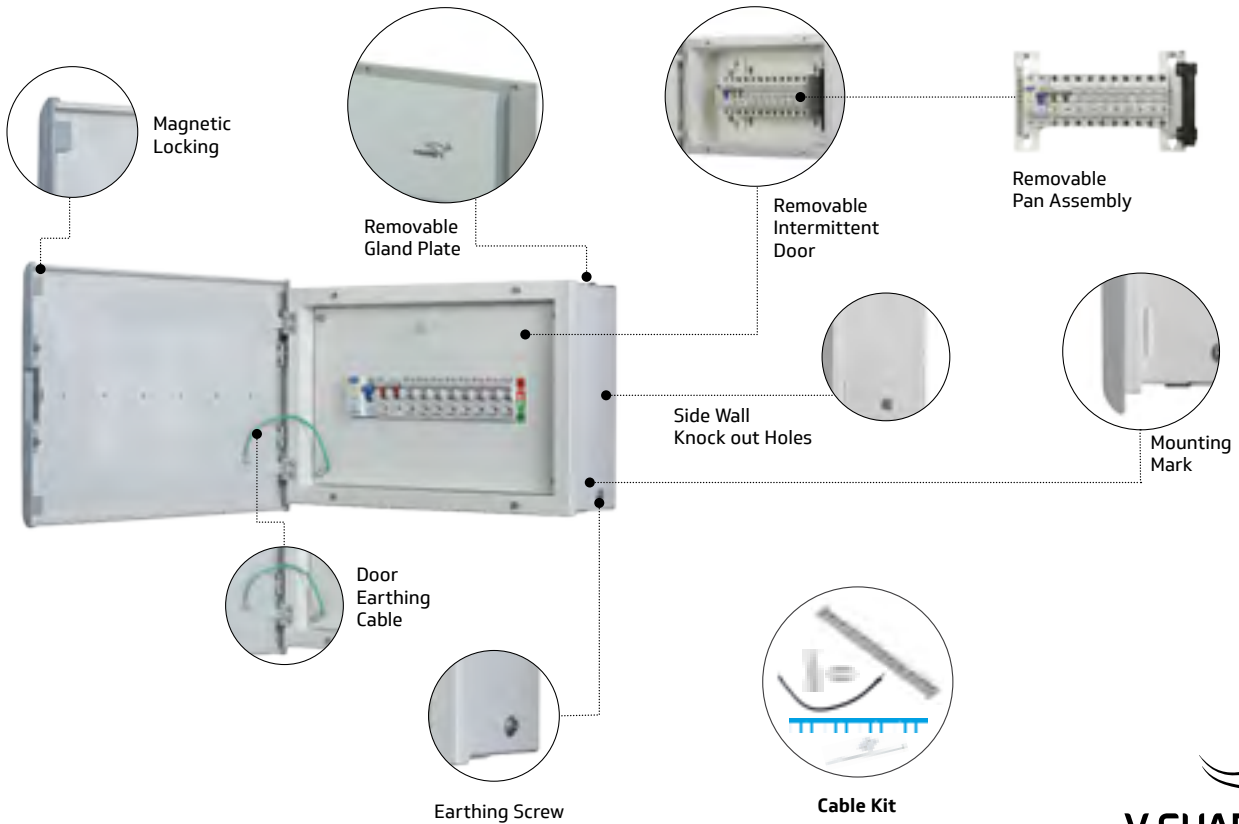
REMOVABLE PAN ASSEMBLY



REMOVABLE INTERMITTENT DOOR



DETACHABLE GLAND PLATE & RIGID BOX



## SPN DOUBLE DOOR DBs



SPN DOUBLE DOOR - COLOUR RAL 9016 TRAFFIC WHITE			
No of ways	Model	Code	Std. Packing
8	DB SPN 8W HORI DD INVIDIA	1504573	4 Nos.
10	DB SPN 10W HORI DD INVIDIA	1504569	4 Nos.
12	DB SPN 12W HORI DD INVIDIA	1504570	4 Nos.
14	DB SPN 14W HORI DD INVIDIA	1504571	1 No.

HSN Code: 8537

## TPN DOUBLE DOOR DBs

NEW



TPN DOUBLE DOOR WITH 8 IC - COLOUR RAL 9003 SIGNAL WHITE			
No of ways /IC	Model	Code	Std. Packing
4/8	DB TPN 4W HORI DD INVIDIA	1504654	1 No.
6/8	DB TPN 6W HORI DD INVIDIA	1504655	1 No.
8/8	DB TPN 8W HORI DD INVIDIA	1504656	1 No.

HSN Code: 8537

## PHASE SELECTOR VERTICAL DBs

(with rotary switches, duly wired & provision for 8W I/C)

NEW



PHASE SELECTOR WITH 40 A SWITCH - COLOUR RAL 9003 SIGNAL WHITE			
No.of ways /IC & Rating(A)	Model	Code	Std. Packing
4/8 & 40A	DB PH SEL 4W 40A V DD INVIDIA	1504647	1 No.
6/8 & 40A	DB PH SEL 6W 40A V DD INVIDIA	1504649	1 No.
8/8 & 40A	DB PH SEL 8W 40A V DD INVIDIA	1504651	1 No.

PHASE SELECTOR WITH 63 A SWITCH - COLOUR RAL 9003 SIGNAL WHITE			
No.of ways /IC & Rating(A)	Model	Code	Std. Packing
4/8 & 63A	DB PH SEL 4W 63A V DD INVIDIA	1504648	1 No.
6/8 & 63A	DB PH SEL 6W 63A V DD INVIDIA	1504650	1 No.
8/8 & 63A	DB PH SEL 8W 63A V DD INVIDIA	1504652	1 No.

HSN Code: 8537

## SEVEN SEGMENT DBs

NEW



SEVEN SEGMENT DBs WITH 8 IC - COLOUR RAL 9003 SIGNAL WHITE			
No of ways /IC	Model	Code	Std. Packing
4/4/8	DB 7 SEG 4W 4/8 V DD INVIDIA	1504904	1 No.
6/4/8	DB 7 SEG 6W 4/8 V DD INVIDIA	1504905	1 No.
8/4/8	DB 7 SEG 8W 4/8 V DD INVIDIA	1504906	1 No.

HSN Code: 8537

NEW

# INVIDIA SPN ACRYLIC DOOR DBs



REVERSIBLE OUTER  
TRANSPARENT  
DOOR



FABRICATED OUT OF  
FLAME RETARDANT  
PC MATERIAL



REMOVABLE  
INTERMITTENT  
DOOR

## SPN INVIDIA FR AD DOUBLE DOOR DBs (With Fire Retardant box and door)



SPN FR ACRYLIC DOOR DBs			
No of ways	Model	Code	Std. Packing
4/6	DB SPN 4/6W HORI FR AD INVIDIA	1505220	10 Nos.
7/9	DB SPN 7/9W HORI FR AD INVIDIA	1505221	8 Nos.
10/12	DB SPN 10/12W HORI FR AD INVIDIA	1505222	5 Nos.
14/16	DB SPN 14/16W HORI FR AD INVIDIA	1505223	5 Nos.
17/19	DB SPN 17/19W HORI FR AD INVIDIA	1505224	5 Nos.

HSN Code: 8537



**NEW**

# ELEGNA SPN ACRYLIC DOOR DBs



FABRICATED OUT OF FLAME RETARDANT PC & ABS MATERIAL



PUSH BUTTON DOOR LOCKING



ADJUSTABLE DIN RAIL

## SPN ELEGNA FR AD SINGLE DOOR DBs (With Fire Retardant box and door)



SPN FR ACRYLIC DOOR DBs			
No of ways	Model	Code	Std. Packing
4/7	DB SPN 4/7W HORI FR AD ELEGNA	1505417	10 Nos.
8/10	DB SPN 8/10W HORI FR AD ELEGNA	1505418	10 Nos.
11/13	DB SPN 11/13W HORI FR AD ELEGNA	1505419	5 Nos.
14/16	DB SPN 14/16W HORI FR AD ELEGNA	1505420	5 Nos.
17/20	DB SPN 17/20W HORI FR AD ELEGNA	1505421	5 Nos.

HSN Code: 8537

## SPN ACRYLIC DOOR DBs (Metal box)



No of ways	Model	Code	Std. Packing
2/4	DB SPN 2/4W HORI AD GRPL01	1504516	12 Nos.
6/8	DB SPN 6/8W HORI AD GRPL01	1504527	12 Nos.
12/14	DB SPN 12/14W HORI AD GRPL01	1504525	6 Nos.
16/18	DB SPN 16/18W HORI AD GRPL01	1504514	6 Nos.

HSN Code: 8537



## SPN - SINGLE DOOR DBs



No of ways	Model	Code	Std. Packing
4	DB SPN 4W HORI SD GRPL01/ IVPL01	1500720/ 1500717	1 No.
6	DB SPN 6W HORI SD GRPL01/ IVPL01	1500726/ 1500723	1 No.
8	DB SPN 8W HORI SD GRPL01/ IVPL01	1500733/ 1500730	1 No.
12	DB SPN 12W HORI SD GRPL01/ IVPL01	1500740/ 1500738	1 No.
16	DB SPN 16W HORI SD GRPL01/ IVPL01	1500744/ 1500743	1 No.

HSN Code: 8537

## SPN - DOUBLE DOOR DBs



No of ways	Model	Code	Std. Packing
4	DB SPN 4W HORI DD GRPL01/ IVPL01/GRVE01	1501010/ 1501633/ 1503985	1 No.
6	DB SPN 6W HORI DD GRPL01/IVPL01/GRVE01	1501011/ 1501446/ 1503986	4 Nos.
8	DB SPN 8W HORI DD GRPL01/IVPL01/GRVE01	1500734/ 1500729/ 1503987	4 Nos.
10	DB SPN 10W HORI DD GRPL01/IVPL01/GRVE01	1504737/ 1504738/ 1505276	4 Nos.
12	DB SPN 12W HORI DD GRPL01/IVPL01/GRVE01	1500741/ 1500737/ 1503988	4 Nos.
16	DB SPN 16W HORI DD GRPL01/IVPL01/GRVE01	1500745/ 1501632/ 1503989	1 No.

HSN Code: 8537

## TPN - DOUBLE DOOR DBs



No of ways/IC	Model	Code	Std. Packing
4/8	DB TPN 4W HORI DD GRPL01/ IVPL01	1500722/ 1500718	1 No.
6/8	DB TPN 6W HORI DD GRPL01/ IVPL01	1500728/ 1500724	1 No.
8/8	DB TPN 8W HORI DD GRPL01/ IVPL01	1500736/ 1500731	1 No.
12/8	DB TPN 12W HORI DD GRPL01/ IVPL01	1501012/ 1501634	1 No.

HSN Code: 8537

## TPN - DOUBLE DOOR VERTICAL DBs



VERTICAL TPN-DOUBLE DOOR GREY MAT			
No of ways	Model	Code	Std. Packing
4/8	DB TPN 4W V DD GRPL01	1502347	1 No.
6/8	DB TPN 6W V DD GRPL01	1502348	1 No.
8/8	DB TPN 8W V DD GRPL01	1502349	1 No.

HSN Code: 8537

## PHASE SELECTOR VERTICAL DBs

(with rotary switches, duly wired & provision for 8W I/C)



PHASE SELECTOR WITH 40 A SWITCH - COLOUR GREY MAT			
No. of ways /IC & Rating(A)	Model	Code	Std. Packing
4/8 & 40A	DB PH SEL 4W 40A V DD GRVE01	1501996	1 No.
6/8 & 40A	DB PH SEL 6W 40A V DD GRVE01	1501997	1 No.
8/8 & 40A	DB PH SEL 8W 40A V DD GRVE01	1501998	1 No.

PHASE SELECTOR WITH 63 A SWITCH - COLOUR GREY MAT			
No. of ways /IC & Rating(A)	Model	Code	Std. Packing
4/8 & 63A	DB PH SEL 4W 63A V DD GRVE01	1501999	1 No.
6/8 & 63A	DB PH SEL 6W 63A V DD GRVE01	1502000	1 No.
8/8 & 63A	DB PH SEL 8W 63A V DD GRVE01	1502001	1 No.

PHASE SELECTOR WITH 40 A SWITCH - COLOUR GREY MAT			
No. of ways /IC & Rating(A)	Model	Code	Std. Packing
4/8 & 40A	DB PH SEL 4W 40A V DD GRPL03	1503789	1 No.
6/8 & 40A	DB PH SEL 6W 40A V DD GRPL03	1503790	1 No.
8/8 & 40A	DB PH SEL 8W 40A V DD GRPL03	1503791	1 No.

PHASE SELECTOR WITH 63 A SWITCH - COLOUR GREY MAT			
No. of ways /IC & Rating(A)	Model	Code	Std. Packing
4/8 & 63A	DB PH SEL 4W 63A V DD GRPL03	1503792	1 No.
6/8 & 63A	DB PH SEL 6W 63A V DD GRPL03	1503793	1 No.
8/8 & 63A	DB PH SEL 8W 63A V DD GRPL03	1503794	1 No.
12/8 & 63A	DB PH SEL 12W 63A V DD GRPL03	1503974	1 No.

HSN Code: 8537



## PHASE SELECTOR HORIZONTAL DBs

(with rotary switches, duly wired & provision for 8W I/C)

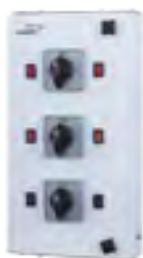


PHASE SELECTOR WITH 40 A SWITCH - COLOUR GREY MAT			
No. of ways/I/C & Rating (A)	Model	Code	Std. Packing
4/8 & 40A	DB PH SEL 4W 40A HORI DD GRVE01	1503860	1 No.
6/8 & 40A	DB PH SEL 6W 40A HORI DD GRVE01	1503861	1 No.
8/8 & 40A	DB PH SEL 8W 40A HORI DD GRVE01	1503862	1 No.

HORIZONTAL PHASE SELECTOR WITH 63 A SWITCH - COLOUR GREY MAT			
No. of ways/I/C & Rating(A)	Model	Code	Std. Packing
4/8 & 63A	DB PH SEL 4W 63A HORI DD GRVE01	1503863	1 No.
6/8 & 63A	DB PH SEL 6W 63A HORI DD GRVE01	1503864	1 No.
8/8 & 63A	DB PH SEL 8W 63A HORI DD GRVE01	1503865	1 No.

HSN Code: 8537

## PHASE SELECTOR ENCLOSURE DBs



Rating(A)	Model	Code	Std. Packing
40A	PH SEL ENCLOSURE 40A GRVE01	1503858	1 No.
63A	PH SEL ENCLOSURE 63A GRVE01	1503859	1 No.

HSN Code: 8537

## MCB ENCLOSURES DBs

NEW



MCB ENCLOSURE GREY MAT			
No. of ways	Model	Code	Std. Packing
2	DB MCB ENCLOSURE 2W GRPL01/IVPL01	1500758/ 1500759	40 Nos.
4	DB MCB ENCLOSURE 4W GRPL01/IVPL01	1500756/ 1500757	30 Nos.

HSN Code: 8537

## AC PLUG & SOCKET DBs



Rating (A)	Model	Code	Std. Packing
20	DB SPN 20A PLUG SOCKET GRPL01/IVPL01	1500753/ 1500751	30 Nos.
20	DB SPN 20A PLUG SOCKET GRVE01/IVVE01	1504518/ 1504519	30 Nos.
20	DB TPN 20A PLUG SOCKET GRPL01/IVPL01	1500752/ 1500750	1 No.
30	DB TPN 30A PLUG SOCKET GRPL01/IVPL01	1500755/ 1500754	1 No.

HSN Code: 8537

NEW



Rating (A)	Model	Code	Std. Packing
20	SPN 20A METAL CLAD PLUG	1503813	4 Nos.
20	SPN 20A METAL CLAD SOCKET	1503817	4 Nos.
30	TPN 30A METAL CLAD PLUG	1503816	4 Nos.
30	TPN 30A METAL CLAD SOCKET	1503820	4 Nos.

HSN Code: 8536

## SWITCH FUSE UNIT



Rating (A)	Model	Code	Std. Packing
16A	SFU 16A 240V DP	1503604	8 Nos.
32A	SFU 32A 240V DP	1503605	8 Nos.
16A	SFU 16A 415V TPN	1503608/ 1503612	8 Nos.
32A	SFU 32A 415V TPN	1503609/ 1503613	8 Nos.
63A	SFU 63A 415V TPN	1503610/ 1503614	4 Nos.

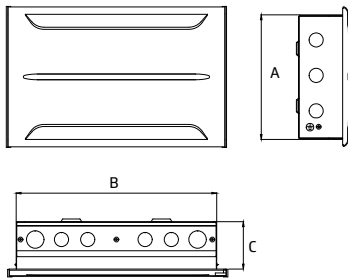
HSN Code: 8537

Note: MRP shown in the price list includes all taxes.

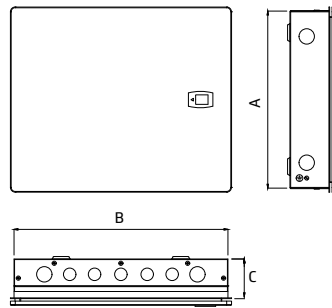


## SPECIFICATION CHART

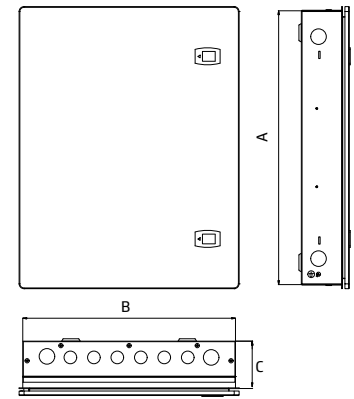
Category	Color	No of ways	Model	SAP Code	Dimensions in cm		
					A(Height)	B(Width)	C(Depth)
INVIDIA SPN DBs	White glossy	8	DB SPN 8W HORI DD INVIDIA	1504573	22.8	29.5	9
		10	DB SPN 10W HORI DD INVIDIA	1504569	22.8	33.1	9
		12	DB SPN 12W HORI DD INVIDIA	1504570	22.8	36.7	9
		14	DB SPN 14W HORI DD INVIDIA	1504571	22.8	40.3	9
INVIDIA TPN DBs	White mat	4	DB TPN 4W HORI DD INVIDIA	1504654	37	41.1	8.3
		6	DB TPN 6W HORI DD INVIDIA	1504655	37	44.7	8.3
		8	DB TPN 8W HORI DD INVIDIA	1504656	37	48.3	8.3
INVIDIA Phase selector DBs	White mat	4	DB PH SEL 4W 40A V DD INVIDIA	1504647	56	39.9	8.4
		6	DB PH SEL 6W 40A V DD INVIDIA	1504649	56	43.5	8.4
		8	DB PH SEL 8W 40A V DD INVIDIA	1504651	56	47.1	8.4
		4	DB PH SEL 4W 63A V DD INVIDIA	1504648	56	39.9	9.7
		6	DB PH SEL 6W 63A V DD INVIDIA	1504650	56	43.5	9.7
		8	DB PH SEL 8W 63A V DD INVIDIA	1504652	56	47.1	9.7



INVIDIA SPN DBs



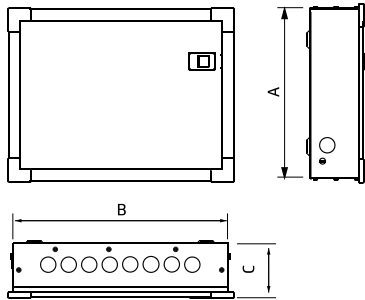
INVIDIA TPN DBs



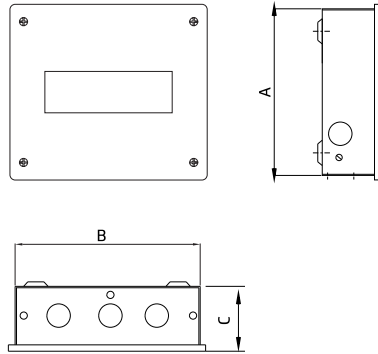
INVIDIA PHASE SELECTOR DBs

Category	Color	No. of ways	Model	SAP Code	Dimensions in cm		
					A (Height)	B (Width)	C (Depth)
SPN Double Door DBs	Grey/ Ivory	4	DB SPN 4W HORI DD GRPL01 / IVPL01	1502359 / 1502361	21.9	13.8	9
		6	DB SPN 6W HORI DD GRPL01 / IVPL01	1502360 / 1502362	21.9	17.3	9
		8	DB SPN 8W HORI DD GRPL01 / IVPL01	1502351 / 1502357	21.9	20.8	9
		12	DB SPN 12W HORI DD GRPL01 / IVPL01	1502350 / 1502356	21.9	28.3	9
		16	DB SPN 16W HORI DD GRPL01 / IVPL01	1502352 / 1502358	21.9	36.3	9
SPN Single Door DBs	Grey/ Ivory	4	DB SPN 4W HORI SD GRPL01 / IVPL01	1500720 / 1500717	18.3	13.7	6.3
		6	DB SPN 6W HORI SD GRPL01 / IVPL01	1503876 / 1503881	18.3	17.1	6.3
		8	DB SPN 8W HORI SD GRPL01 / IVPL01	1500733 / 1500730	18.3	20.9	6.3
		12	DB SPN 12W HORI SD GRPL01 / IVPL01	1500740 / 1500738	18.3	28.1	6.3
		16	DB SPN 16W HORI SD GRPL01 / IVPL01	1500744 / 1500743	18.3	35.3	6.3

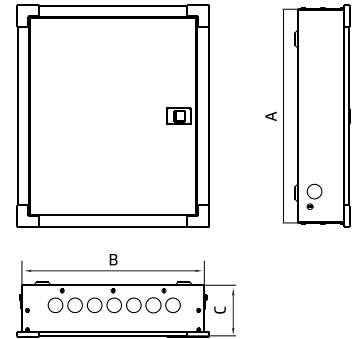
Category	Color	No. Ways	Model	SAP Code	Dimensions in cm		
					A (Height)	B (Width)	C (Depth)
TPN Double Door DBs	Grey/Ivory	4	DB TPN 4W HORI DD GRPL01/ IVPL 01	1500722/1500718	37.8	33	9
		6	DB TPN 6W HORI DD GRPL01/ IVPL 01	1500728/1500724	37.8	36.2	9
		8	DB TPN 8W HORI DD GRPL01/ IVPL 01	1500736/1500731	37.8	40	9
		12	DB TPN 12W HORI DD GRPL01/ IVPL 01	1501012/1501634	44.5	65	9



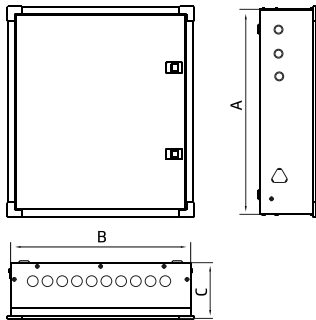
SPN Double Door DBs



SPN Single Door DBs

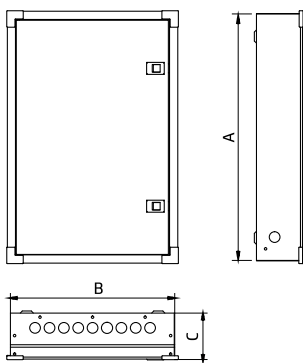


TPN Double Door DBs



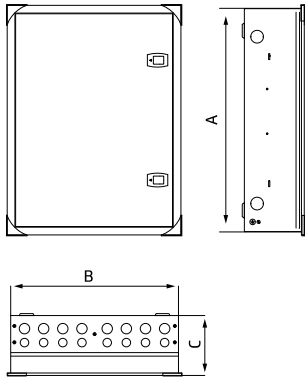
Vertical TPN DBs

Category	Color	No. Ways	Model	SAP Code	Dimensions in cm		
					A (Height)	B (Width)	C (Depth)
Vertical TPN DBs	Grey	4	DB TPN 4W V DD GRPL01	1502347	49.9	40	11.8
		6	DB TPN 6W V DD GRPL01	1502348	54.9	40	11.8
		8	DB TPN 8W V DD GRPL01	1502349	59.7	40	11.8



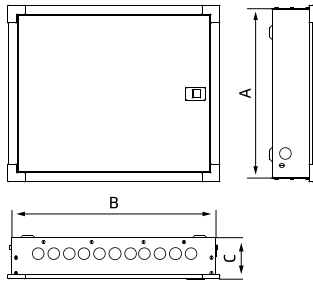
Phase Selector DBs Eco Series

Category	Color	No. Ways	Model	SAP Code	Dimensions in cm		
					A (Height)	B (Width)	C (Depth)
Phase Selector DBs	Grey	4	DB PH SEL 4W 40A V DD GRVE01	1501996	59.2	40	11.5
		6	DB PH SEL 6W 40A V DD GRVE01	1501997	59.2	43.8	11.5
		8	DB PH SEL 8W 40A V DD GRVE01	1501998	59.2	47.4	11.5
		4	DB PH SEL 4W 63A V DD GRVE01	1501999	61.3	41.7	13.5
		6	DB PH SEL 6W 63A V DD GRVE01	1502000	61.3	45.3	13.5
		8	DB PH SEL 8W 63A V DD GRVE01	1502001	61.3	48.9	13.5



Phase Selector DBs Premium Series

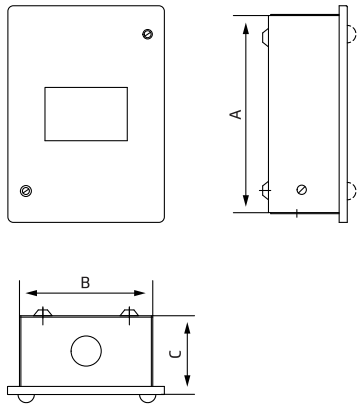
Category	Color	No. Ways	Model	SAP Code	Dimensions in cm		
					A (Height)	B (Width)	C (Depth)
Phase Selector DBs	White Mat	4	DB PH SEL 4W 40A V DD GRPL03	1503789	56	42	15
		6	DB PH SEL 6W 40A V DD GRPL03	1503790	56	45.6	15
		8	DB PH SEL 8W 40A V DD GRPL03	1503791	56	49.2	15
		4	DB PH SEL 4W 63A V DD GRPL03	1503792	56	42	15
		6	DB PH SEL 6W 63A V DD GRPL03	1503793	56	45.6	15
		8	DB PH SEL 8W 63A V DD GRPL03	1503794	56	49.2	15
		12	DB PH SEL 12W 63A V DD GRPL03	1503974	56	56.4	15



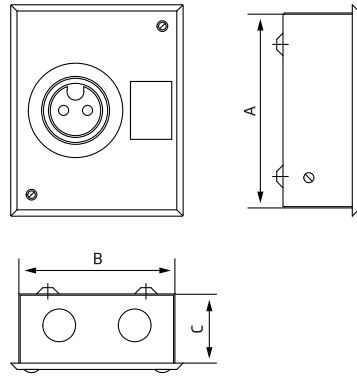
Horizontal Phase Selector DBs

Category	Color	No. Ways	Model	SAP Code	Dimensions in cm		
					A (Height)	B (Width)	C (Depth)
Phase Selector DBs	Grey	4	DB PH SEL 4W 40A HORI DD GRVE01	1503860	42.4	48	11
		6	DB PH SEL 6W 40A HORI DD GRVE01	1503861	42.4	51.5	11
		8	DB PH SEL 8W 40A HORI DD GRVE01	1503862	42.4	55	11
		4	DB PH SEL 4W 63A HORI DD GRVE01	1503863	43	48	13.5
		6	DB PH SEL 6W 63A HORI DD GRVE01	1503864	43	51.2	13.5
		8	DB PH SEL 8W 63A HORI DD GRVE01	1503865	43	54.8	13.5

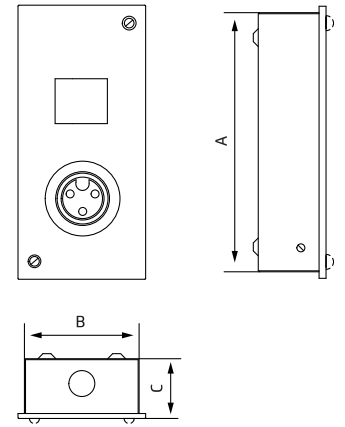
Category	Color	No. Ways	Model	SAP Code	Dimensions in cm		
					A (Height)	B (Width)	C (Depth)
Enclosure DBs	Grey / Ivory	2	DB MCB ENCLOSURE 2W GRPL01 / IVPL01	1500758 / 1500759	16.7	8.3	6
		4	DB MCB ENCLOSURE 4W GRPL01 / IVPL01	1500756 / 1500757	16.7	12	6
Category	Color	Rating	Model	SAP Code	Dimensions in cm		
SPN Plug & Socket DBs	Grey	20 A	DB SPN 20A PLUG SOCKET GRPL01	1500753	15.5	12.4	6
		30 A	DB TPN 20A PLUG SOCKET GRPL01	1500752	26	11.5	6
TPN Plug & Socket DBs	Grey	20 A	DB TPN 20A PLUG SOCKET GRPL01	1500752	26	11.5	6
		30 A	DB TPN 30A PLUG SOCKET GRPL02	1500755	26	11.5	6



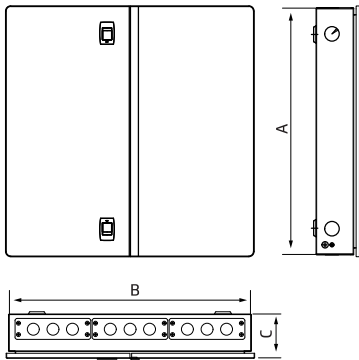
Enclosure DBs



SPN Plug & Socket DBs

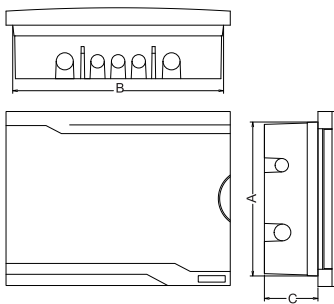


TP AC Plug & Socket DBs

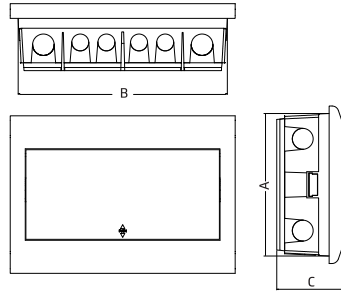


7 Segment DBs

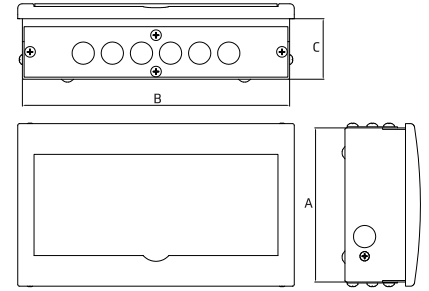
Category	Color	No. Ways	Model	SAP Code	Dimensions in cm		
					A (Height)	B (Width)	C (Depth)
Seven Segment DBs	White Mat	4	DB 7SEG 4W 4/8 V DD INVIDIA	1504904	54.2	42.5	8.5
		6	DB 7SEG 6W 4/8 V DD INVIDIA	1504905	54.2	53.3	8.5
		8	DB 7SEG 8W 4/8 V DD INVIDIA	1503791	54.2	64.1	8.5



SPN Invidia FR AD DBs



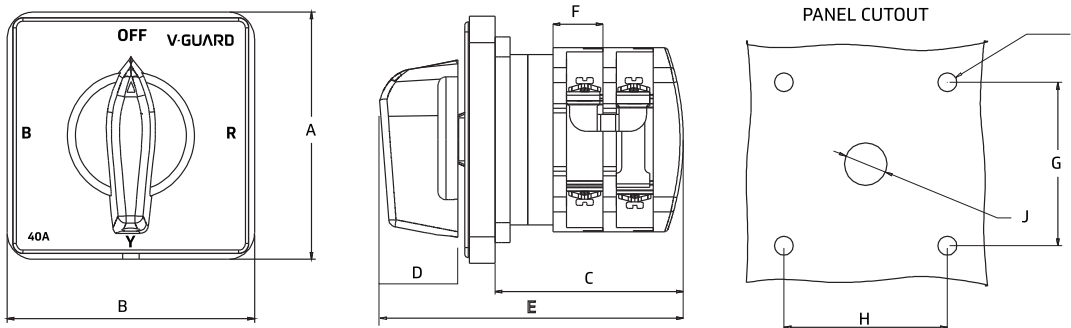
SPN Elegna FR AD DBs



SPN AD DBs

Category	Color	No. of ways	Model	SAP Code	Dimensions in cm		
					A (Height)	B (Width)	C (Depth)
SPN Invidia FR AD DB	White + Grey	4/6	DB SPN 4/6W HORI FR AD INVIDIA	1505220	23	20.6	8
		7/9	DB SPN 7/9W HORI FR AD INVIDIA	1505221	23	26.0	8
		10/12	DB SPN 10/12W HORI FR AD INVIDIA	1505222	23	31.4	8
		14/16	DB SPN 14/16W HORI FR AD INVIDIA	1505223	23	38.6	8
		17/19	DB SPN 17/19W HORI FR AD INVIDIA	1505224	23	44.0	8

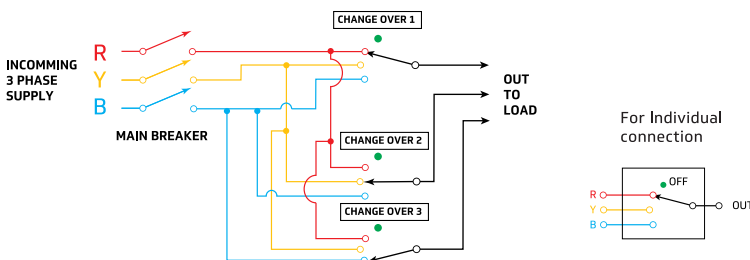
Category	Color	No. of ways	Model	SAP Code	Dimensions in cm		
					A (Height)	B (Width)	C (Depth)
SPN Elegna FR AD DB	White + Grey	4/7	DB SPN 4/7W HORI FR AD ELEGNA	1505417	22	21.4	8
		8/10	DB SPN 8/10W HORI FR AD ELEGNA	1505418	22	26.8	8
		11/13	DB SPN 11/13W HORI FR AD ELEGNA	1505419	22	32.2	8
		14/16	DB SPN 14/16W HORI FR AD ELEGNA	1505420	22	37.6	8
		17/20	DB SPN 17/20W HORI FR AD ELEGNA	1505421	22	44.8	8
SPN AD DB	Milky White	2/4	DB SPN 2/4W HORI AD GRPL01	1504516	17.5	12.6	7.1
		6/8	DB SPN 6/8W HORI AD GRPL01	1504527	17.5	19.8	7.1
		12/14	DB SPN 12/14W HORI AD GRPL01	1504525	17.5	30.8	7.1
		16/18	DB SPN 16/18W HORI AD GRPL01	1504514	17.5	37.8	7.1



Phase Selector Rotary Switch

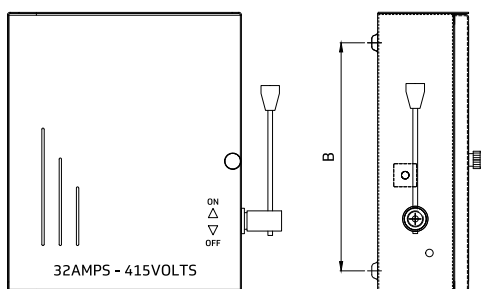
### Connection Diagram

For Phase selector Distribution Board



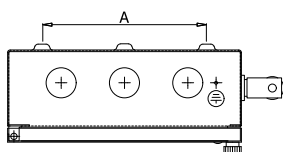
	25A	32A	40A	63A
A	75	75	75	90
B	75	75	75	90
C	57	57	57	70
D	23.4	23.4	23.4	35.5
E	92	92	92	115
F	15	15	15	21
G	48	48	48	68
H	48	48	48	68
I	Ø12.5	Ø12.5	Ø12.5	Ø12.5
J	Ø5.5X4N	Ø5.5X4N	Ø5.5X4N	Ø5.5X4N

All dimensions are in mm



Description	A (mm)	B (mm)
16A 240V	63	155
32A 240V	84	198
16A 415V	107	170
32A 415V	142	198
63A 415V	192	279

Note: Switch Fuse Unit can easily be mounted as per above dimensions of A & B on wall.



Switch Fuse Unit





V-Guard Industries Ltd.,  
Registered Office: 42/962,  
Vennala High School Road,  
Vennala, Kochi - 682028, Kerala.  
Ph: 0484-2005000, 4335000  
[www.vguard.in](http://www.vguard.in)



V-Guard Care  
1800 103 1300 (Toll Free)  
1860 180 3000 (Charges Apply)  
[customercare@vguard.in](mailto:customercare@vguard.in)  
CIN: L31200KL1996PLC010010